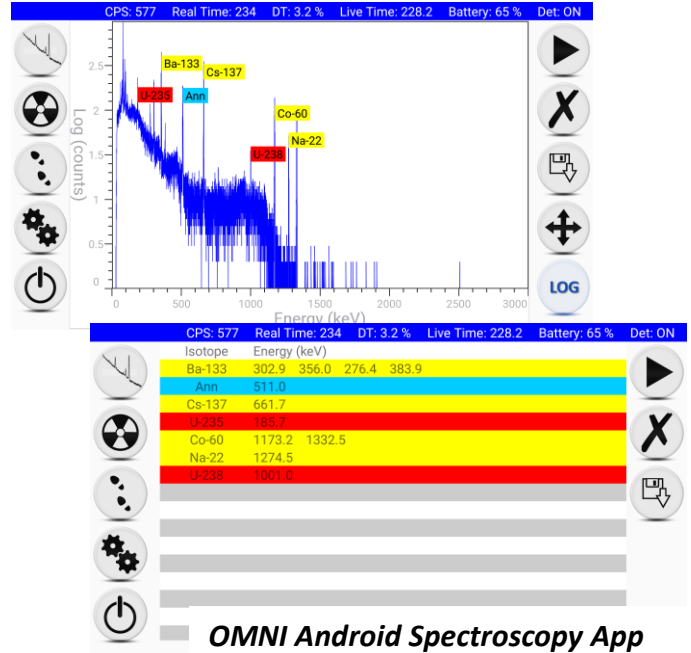


Fulcrum²⁵

HPGe Spectrometer

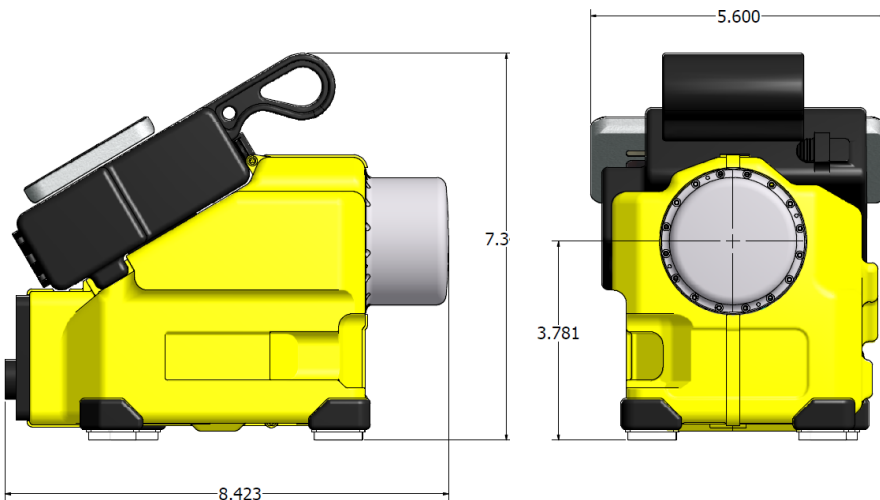


**Hand Portable
High Resolution
HPGe detector**



Wireless or USB cable operation
4-inch Android phone i/o device
ANSI N42.42 Reachback output
Automatic Isotope ID
NORM, IND, MED, SNM
Bluetooth, GPS, Wireless capable
Count-rate vs. time display for search

122 keV FWHM ~ 1.0 keV
1332 keV FWHM ~ 2.2 keV



7 lbs with onboard battery (as shown)
Stirling-cycle Cooler (no LN₂)
3-4 hr onboard battery life (as shown)
9-12 hr external battery (2590)
60 minute cool-down time